

Rev/Feb12/312



# Aero•Swing™ Hydraulic Door

## Product Information:

**Door Size:** Designed and manufactured to the dimensions of your specific opening.

**Suitability:** For new or existing buildings.  
Compatible with most types of building including, steel, timber, pole, concrete and semi permanent.

**Wind Load, Engineering & Permits** Engineered to meet the wind load requirements in your location.  
Cane bolts provided when necessary.  
Signed and sealed permit drawings provided when necessary.



**Power Requirements:** We design our power unit to integrate with your electrical circuit.

**Cylinders:** All hydraulic cylinders are designed and manufactured to meet the size, load and location of your specific door. We do not use hydraulic cylinders off the shelf.

Each hydraulic cylinder include a counterbalance valve and safety regulator in case of line failure. If a hydraulic line bursts or fails the Aero•Swing door will not fall.

**Materials:** All door hinges across the header of the door are engineered and manufactured to meet customers specific door requirements, are high strength and self lubricated.

Bolts shall be high strength, with threads excluded from shear planes. Tightened by AISC approved tightening method. All shop connections shall be bolted or welded.

**Coating Finish:** One coat of red oxide primer applied.

**Weather Stripping:** Climate seal around the door delivers tight seal between door and frame.  
Seal across the bottom of the door, stops dust and sand intrusion.  
Seal across the header protects hinges from dust and excessive moisture.

**Warranty:** 5 - Year : Steel door, steel framework, fixtures and workmanship.  
1 - Year : Hydraulic pump, door seals and hydraulic cylinders.  
or Upgrade to a 3-Year or 7-Year warranty. (call for options)

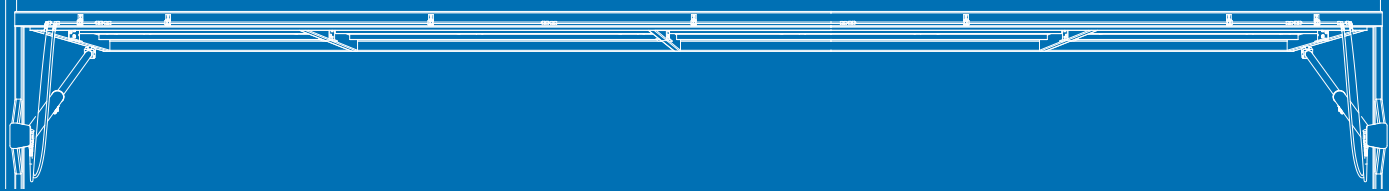


## **Aero•Swing<sup>™</sup> Hydraulic Door Upgrades & Options:**

- Finish:** Primer coated in a choice of over 20 stock colors.  
Galvanizing services.
- Hydraulic Hose upgrade:** Replace the synthetic rubber hydraulic hoses with carbon steel hydraulic lines.
- Man Doors & Windows:** Pass Door (Including window)  
Pass Door (No window)  
Single or a multiple window arrangements in your Aero•Swing door.
- Webbed Truss Position:** Webbed truss positioned on the inside edge of the door.  
- advisable if you will need to remove snow from the front of your door -
- Inside Skin Assembly:** Framework applied to the inside of the door, allowing customer to fix inside insulation and sheeting.
- Operating Controls:** Push Button Station: To operate the door from another location.  
Key Switch: Door operating by key holders only.  
Digital Keypad: Door operation by authorized persons only.  
Radio Control: Remote control operation of your door.
- 12V DC Power Supply: For battery assisted door operation (Battery not included)
- Warranty:** Upgrade: Hydraulic pump, door seals and hydraulic cylinders.....to 3-Years  
Upgrade: Hydraulic pump, door seals and hydraulic cylinders.....to 7-Years



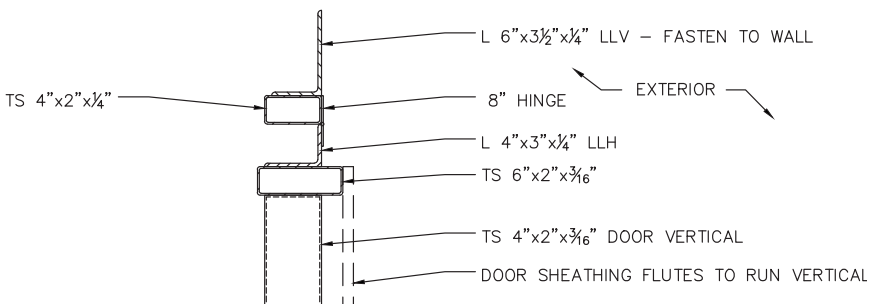
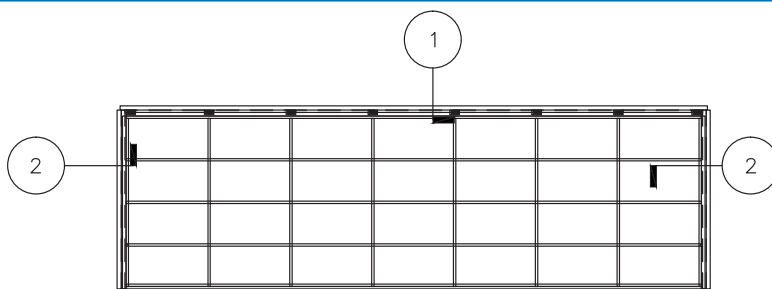
Architects and engineers can download the Aero•Swing Technical Specification File at [www.aero-door.com](http://www.aero-door.com)



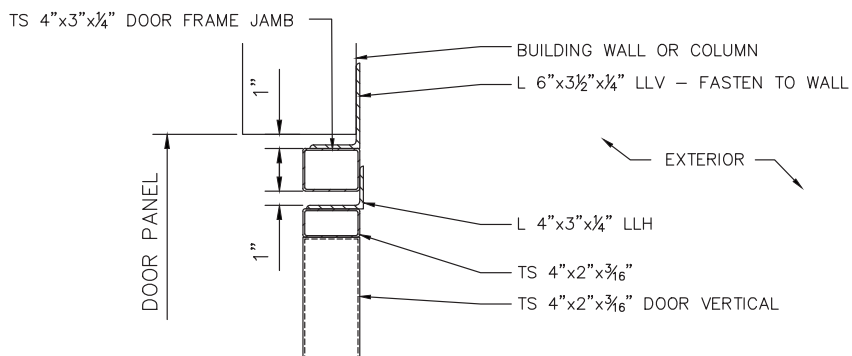
# Aero•Swing™ Hydraulic Door

## Door Header & Jamb Connection:

(Example Only)



**1** DOOR HEADER CONNECTION  
SCALE: N.T.S.



**2** DOOR JAMB CONNECTION  
SCALE: N.T.S.